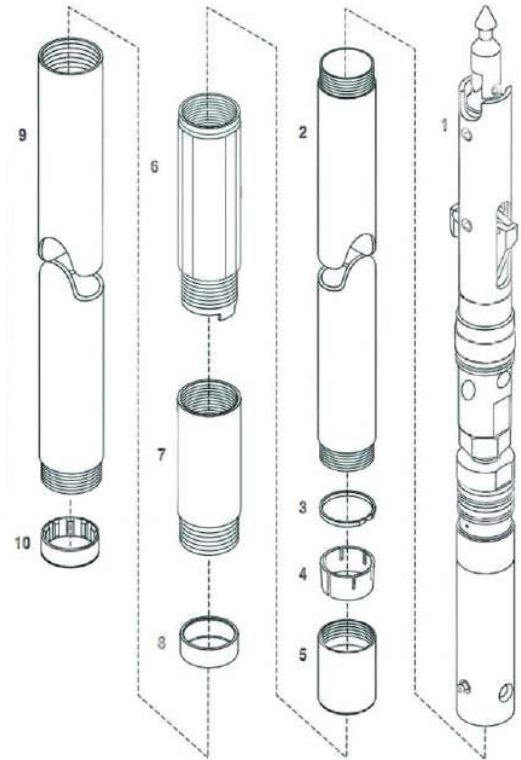


Wireline Coring System

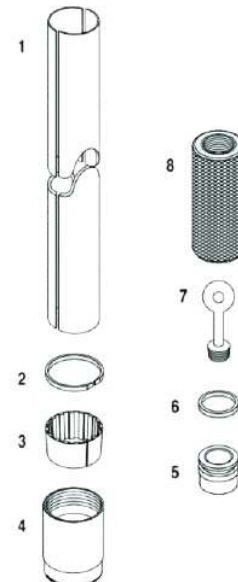


| Item No | Part No | Description |
|---------|-------------|-------------------------------|
| | G306001 | Core Barrel 1,5 m |
| | G306002 | Core Barrel 3,0 m |
| 1 | G3542751 | Head Assembly |
| 2 | G24909 | Inner Tube 1,5 m |
| | G24891 | Inner Tube 3,0 m |
| 3 | G24893 | Stop Ring |
| 4 | G30488 | Core Lifter (Thin Threaded) |
| | G30488-T | Core Lifter (Thick Threaded) |
| 5 | G24892 | Core Lifter Case |
| 6 | G3545405-0 | Locking Coupling |
| | G3545405-01 | NHD Locking Coupling |
| | G3545405 | Locking Coupling (Tanged) |
| | G3545405-1 | NHD Locking Coupling (Tanged) |
| | G62764-T | Locking Coupling (TC) |
| | G62764-T1 | NHD Locking Coupling (TC) |
| | G62764 | Locking Coupling (Welded) |
| | G62764-1 | NHD Locking Coupling (Welded) |
| 7 | G24896 | Adapter Coupling |
| 8 | G24897 | Landing Ring |
| 9 | G24910 | Outer Tube 1,5 m |
| | G24898 | Outer Tube 3,0 m |
| 10 | G44407 | Inner Tube Stabilizer |

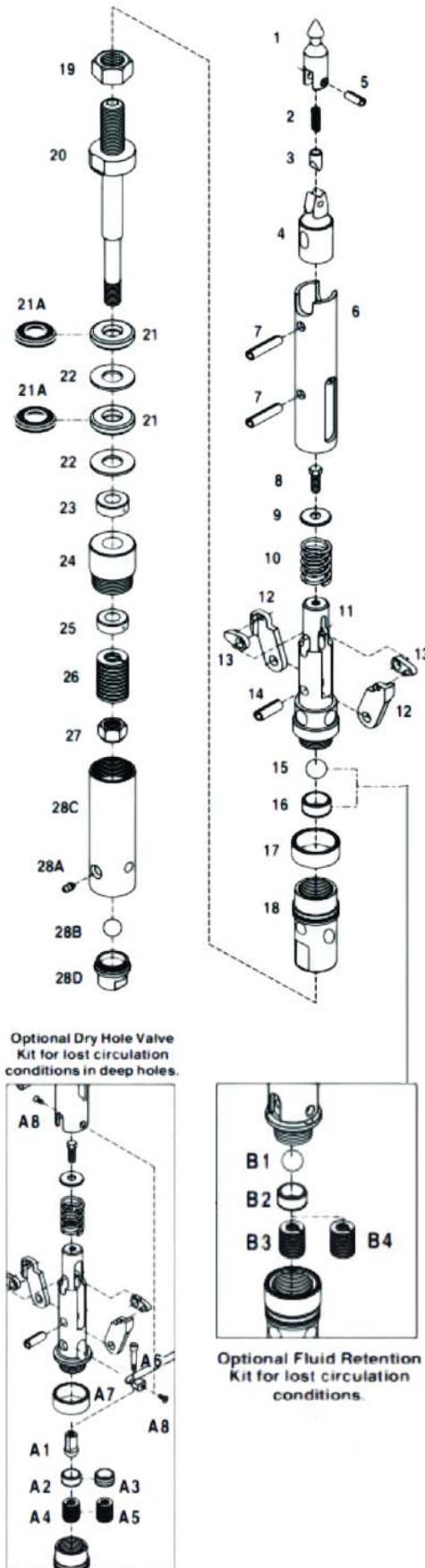


Core Barrel Conversion Kits - NWL3

| Item No | Part No | Description |
|---------|----------|------------------------------|
| 1 | G26527 | Split Tube 1,5 m |
| | G26528 | Split Tube 3,0 m |
| 2 | G26530 | Stop Ring |
| 3 | G26531 | Core Lifter (Thin Threaded) |
| | G26531-T | Core Lifter (Thick Threaded) |
| 4 | G26529 | Core Lifter Case |
| 5 | G26526 | Core Ejection Piston |
| 6 | G26134 | O-Ring |
| 7 | G26662 | Piston Plug |
| 8 | G26532 | Pump-Out Adapter |



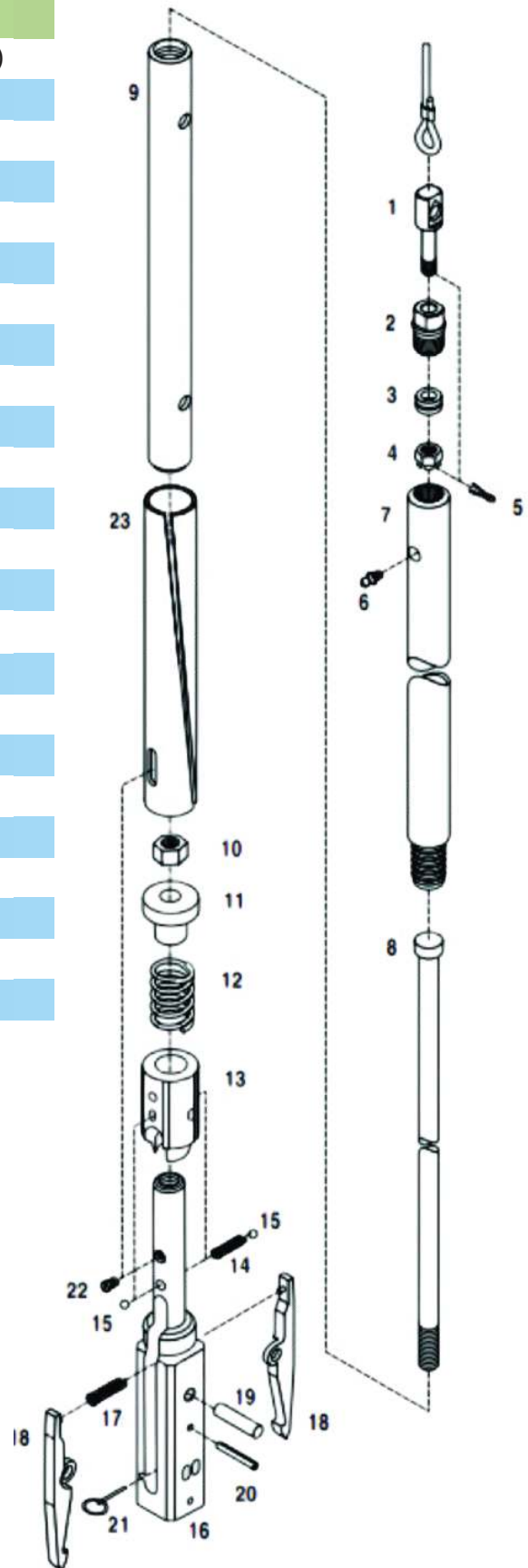
NWL Inner Tube Head Assembly

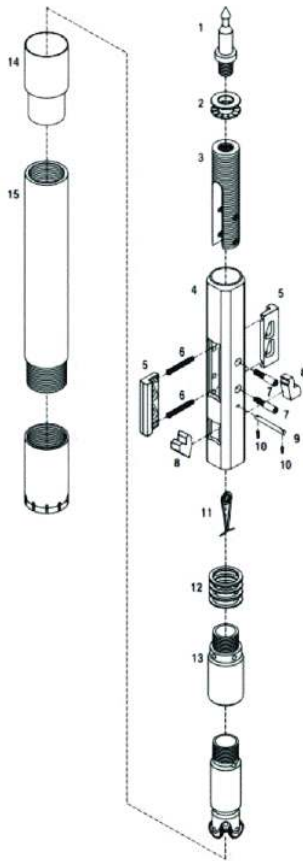


| Item No | Part No | Description |
|---------|----------|-----------------------------------|
| 1-5 | G429131 | Compact Spearhead and Base |
| 1 | G42913 | Spearhead Point |
| 2 | G15141 | Compression Spring |
| 3 | G42914 | Detent Plunger |
| 4 | G3540329 | Spearhead Base, NWL |
| 5 | G42905 | Spirol Pin |
| 6 | G306455 | Latch Retracting Case, NWL |
| 7 | G24305 | Spring Pin, NWL |
| A | G3541210 | Dry Hole Valve Kit |
| A1 | G3543947 | Steel Threaded Ball |
| A2 | G306131 | Landing Indicator Bushing (Steel) |
| A3 | G3543378 | Fluid Retention Spring, Heavy |
| A4 | G104971 | Fluid Retention Spring, Medium |
| A5 | G104966 | Fluid Retention Spring, Light |
| A6 | G3533388 | Shoulder Bolt |
| A7 | G3540153 | Dry Hole Valve Holder |
| A8 | G3541117 | Nylon Insert Machine Screw |
| 8 | G3541932 | Nyloc Bolt |
| 9 | G306022 | Washer |
| 10 | G3543812 | Latch Compression Spring, NWL |
| 11 | G3541778 | Upper Latch Body, NWL |
| 12 | G104816 | Latch, NWL |
| 13 | G306454 | Link, NWL |
| 14 | G24548 | Spring Pin |
| 15 | G62374 | Stainless Steel Ball |
| 16 | G62380 | Landing Indicator Bushing |
| 17 | G306009 | Landing Shoulder Ring, NWL |
| 18 | G306008 | Lower Latch Body, NWL |
| 19 | G24885 | Hexagonal Nut |
| 20 | G24886 | Spindle, NWL |
| 21 | G44209 | Shut-Off Valve, NWL |
| 22 | G24888 | Valve Adjusting Washer, NWL |
| 23 | G24312 | Thrust Bearing, NWL |
| 24 | G24889 | Spindle Bushing, NWL |
| 25 | G18298 | Hanger Bearing, NWL |
| 26 | G24313 | Compression Spring |
| 27 | G22918 | Stover Lock Nut |
| 28 | G40664 | Inner Tube Cap Assembly, NWL |
| 28A | G17447 | Grease Fitting |
| 28B | G62374 | Stainless Steel Ball |
| 28C | G40677 | Inner Tube Cap, NWL |
| 28D | G37382 | Check Valve Body, NWL |
| B | G3542610 | Fluid Retention Kit |
| B1 | G62374 | Stainless Steel Ball |
| B2 | G306131 | Fluid Retention Bushing |
| B3 | G104966 | Fluid Retention Spring, Light |
| B4 | G104971 | Fluid Retention Spring, Medium |

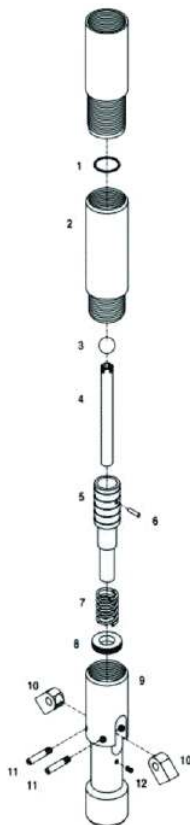


| Item No | Part No | Description |
|---------|----------|------------------------------|
| | G3546744 | Overshot Assembly (Ezy-Lock) |
| 1 | G25991 | Eye Bolt |
| 2 | G25990 | Cable Swivel Collar |
| 3 | G25986 | Thrust Bearing |
| 4 | G25985 | Castle Nut |
| 5 | G44615 | Cotter Pin |
| 6 | G17447 | Grease Fitting |
| 7 | G44444 | Cable Swivel Body |
| 8 | G3540516 | Jar Staff |
| 9 | G44445 | Jar Tube |
| 10 | G44524 | Hexagonal Nut |
| 11 | G3544103 | Cap, Ezy Lock O/Shot |
| 12 | G3544105 | Spring, Ezy Lock O/Shot |
| 13 | G3546745 | Sleeve, Ezy Lock O/Shot |
| 14 | G6951 | Compression Spring |
| 15 | G3543772 | Ball |
| 16 | G3546746 | Ezy Lock Overshot Head |
| 17 | G3542027 | Compression Spring |
| 18 | G3540529 | Lifting Dog |
| 19 | G42906 | Plain Pin |
| 20 | G37394 | Spring Pin |
| 21 | G3546747 | Locking Pin |
| 22 | G3545073 | Set Screw |
| 23 | G15965 | Locking Sleeve |



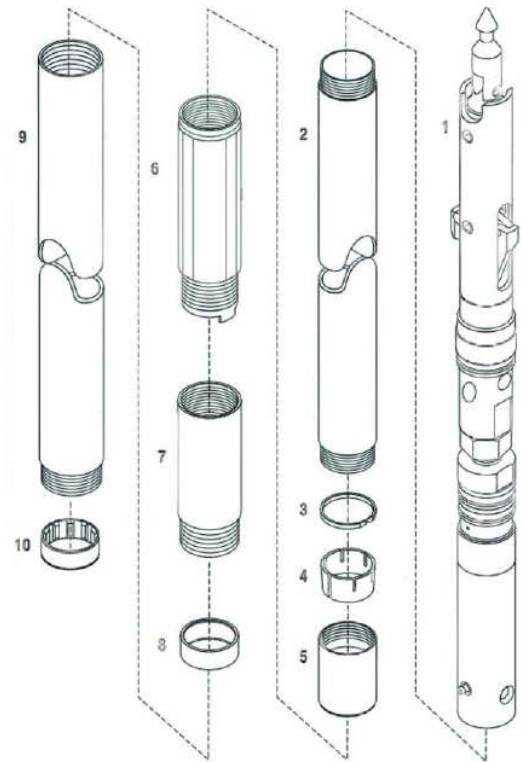


| Item No | Part No | Description |
|---------|---------|--------------------------|
| 1-15 | G59000 | NW (HWL) Casing Advancer |
| 1-14 | G82421 | Inner Assembly |
| 1 | G93415 | Spearhead |
| 2 | G58040 | Disc Lock Washer |
| 3 | G58038 | Release Shaft |
| 4 | G58999 | Latch Body |
| 5 | G93417 | Latch Shoe |
| 6 | G93420 | Spring |
| 7 | G58035 | Location Pin |
| 8 | G59001 | Stop Latch Set |
| 9 | G59087 | Stop Latch Pin |
| 10 | G44861 | Split Cotter Pin |
| 11 | G59082 | Stop Latch Spring |
| 12 | G93418 | Spacer Set |
| 13 | G93416 | Bit Sub |
| 14 | G59063 | Loading Sleeve |
| 15 | G80963 | Driver |



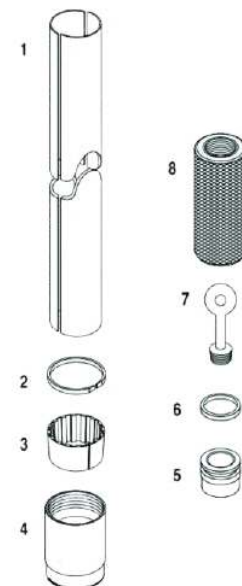
| Item No | Part No | Description |
|---------|---------|----------------------------|
| | G52777 | NW Casing / HWL Rod Cutter |
| 1 | G61460 | Retaining Ring |
| 2 | G52778 | Plunger Case |
| 3 | G26157 | Stainless Steel Ball |
| 4 | G14529 | Water Tube |
| 5 | G14528 | Plunger |
| 6 | G22834 | Pin |
| 7 | G14531 | Spring |
| 8 | G14530 | Spring Rest |
| 9 | G14526 | Body |
| 10 | G14532 | Casing Cutter Lug |
| 11 | G14588 | Casing Cutter Pin |
| 12 | G44663 | Set Screw |

| Item No | Part No | Description |
|---------|------------|------------------------------|
| | G3542946 | Core Barrel 1,5 m |
| | G3542949 | Core Barrel 3,0 m |
| 1 | G3542941 | Head Assembly |
| 2 | G25258 | Inner Tube 1,5 m |
| | G25236 | Inner Tube 3,0 m |
| 3 | G25238 | Stop Ring |
| 4 | G30489 | Core Lifter (Thin Threaded) |
| | G30489-T | Core Lifter (Thick Threaded) |
| 5 | G25237 | Core Lifter Case |
| 6 | G3545409-0 | Locking Coupling |
| | G3545409 | Locking Coupling (Tanged) |
| | G62765-T | Locking Coupling (TC) |
| | G62765-W | Locking Coupling (Welded) |
| 7 | G25241 | Adapter Coupling |
| 8 | G25242 | Landing Ring |
| 9 | G44408 | Outer Tube 1,5 m |
| | G25243 | Outer Tube 3,0 m |
| 10 | G25244 | Inner Tube Stabilizer |

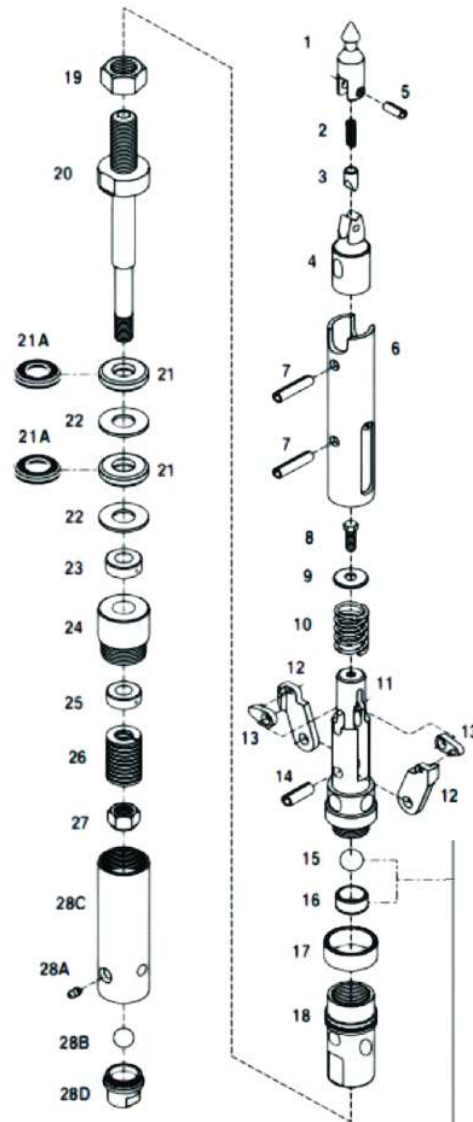


Core Barrel Conversion Kits - HWL3

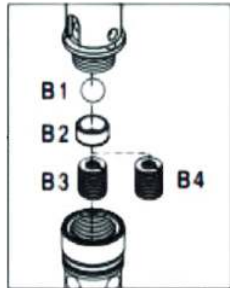
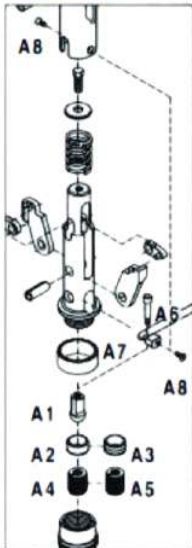
| Item No | Part No | Description |
|---------|----------|------------------------------|
| 1 | G26512 | Split Tube 1,5 m |
| | G26513 | Split Tube 3,0 m |
| 2 | G26515 | Stop Ring |
| 3 | G26516 | Core Lifter (Thin Threaded) |
| | G26516-T | Core Lifter (Thick Threaded) |
| 4 | G26514 | Core Lifter Case |
| 5 | G26510 | Core Ejection Piston |
| 6 | G20651 | O-Ring |
| 7 | G26662 | Piston Plug |
| 8 | G26517 | Pump-Out Adapter |



HWL Inner Tube Head Assembly



Optional Dry Hole Valve Kit for lost circulation conditions in deep holes.

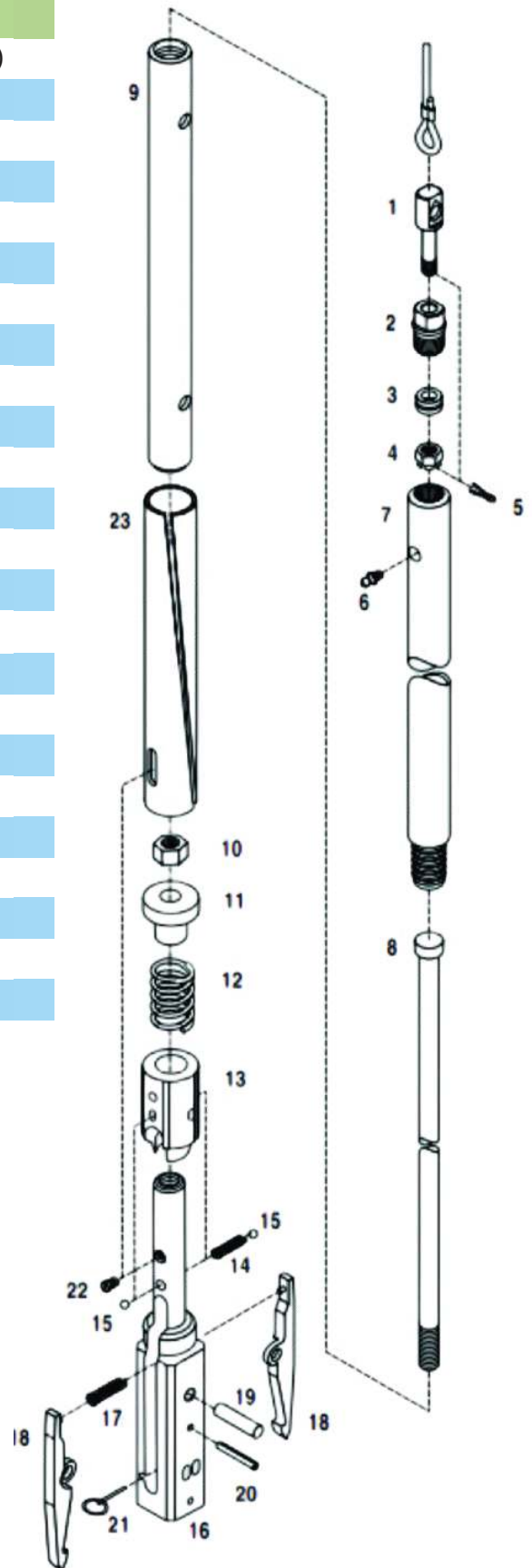


Optional Fluid Retention Kit for lost circulation conditions.

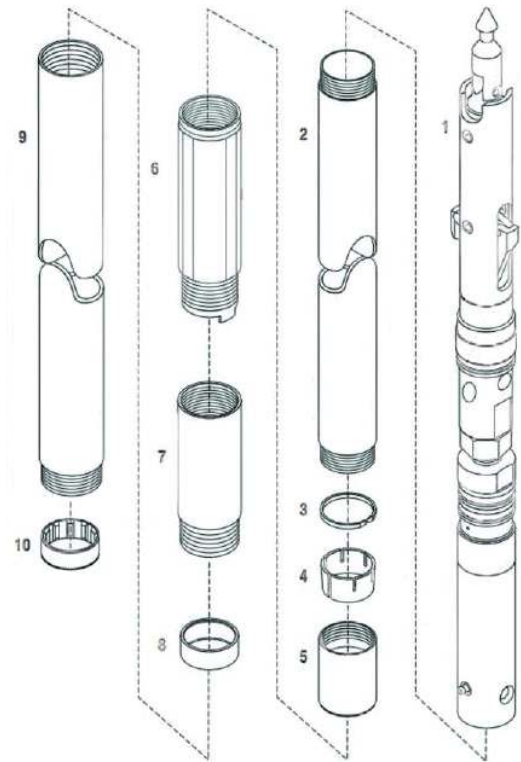
| Item No | Part No | Description |
|---------|----------|-----------------------------------|
| 1-5 | G429131 | Compact Spearhead and Base |
| 1 | G42913 | Spearhead Point |
| 2 | G15141 | Compression Spring |
| 3 | G42914 | Detent Plunger |
| 4 | G3540330 | Spearhead Base, HWL |
| 5 | G42905 | Spirol Pin |
| 6 | G3540151 | Latch Retracting Case, HWL |
| 7 | G24524 | Spring Pin, HWL |
| A | G3541210 | Dry Hole Valve Kit |
| A1 | G3540152 | Steel Threaded Ball |
| A2 | G306131 | Landing Indicator Bushing (Steel) |
| A3 | G3543378 | Fluid Retention Spring, Heavy |
| A4 | G104971 | Fluid Retention Spring, Medium |
| A5 | G104966 | Fluid Retention Spring, Light |
| A6 | G3533388 | Shoulder Bolt |
| A7 | G3540153 | Dry Hole Valve Holder |
| A8 | G3541117 | Nylon Insert Machine Screw |
| 8 | G3541932 | Nyloc Bolt |
| 9 | G104953 | Washer |
| 10 | G3543619 | Latch Compression Spring, HWL |
| 11 | G3540156 | Upper Latch Body, HWL |
| 12 | G104818 | Latch, HWL |
| 13 | G306216 | Link, HWL |
| 14 | G24305 | Spring Pin |
| 15 | G62374 | Stainless Steel Ball |
| 16 | G62380 | Landing Indicator Bushing |
| 17 | G104958 | Landing Shoulder Ring, HWL |
| 18 | G104957 | Lower Latch Body, HWL |
| 19 | G44574 | Hexagonal Nut |
| 20 | G25231 | Spindle, HWL |
| 21 | G43513 | Shut-Off Valve, HWL |
| 22 | G25233 | Valve Adjusting Washer HWL |
| 23 | G24528 | Thrust Bearing, HWL |
| 24 | G25234 | Spindle Bushing, HWL |
| 25 | G24312 | Hanger Bearing, HWL |
| 26 | G24529 | Compression Spring |
| 27 | G103465 | Stover Lock Nut |
| 28 | G40678 | Inner Tube Cap Assembly, HWL |
| 28A | G17447 | Grease Fitting |
| 28B | G62374 | Stainless Steel Ball |
| 28C | G40401 | Inner Tube Cap, HWL |
| 28D | G37382 | Check Valve Body, HWL |
| B | G3542610 | Fluid Retention Kit |
| B1 | G62374 | Stainless Steel Ball |
| B2 | G306131 | Fluid Retention Bushing |
| B3 | G306443 | Fluid Retention Spring, Light |
| B4 | G306444 | Fluid Retention Spring, Medium |



| Item No | Part No | Description |
|---------|----------|------------------------------|
| | G3546744 | Overshot Assembly (Ezy-Lock) |
| 1 | G25991 | Eye Bolt |
| 2 | G25990 | Cable Swivel Collar |
| 3 | G25986 | Thrust Bearing |
| 4 | G25985 | Castle Nut |
| 5 | G44615 | Cotter Pin |
| 6 | G17447 | Grease Fitting |
| 7 | G44444 | Cable Swivel Body |
| 8 | G3540516 | Jar Staff |
| 9 | G44445 | Jar Tube |
| 10 | G44524 | Hexagonal Nut |
| 11 | G3544103 | Cap, Ezy Lock O/Shot |
| 12 | G3544105 | Spring, Ezy Lock O/Shot |
| 13 | G3546745 | Sleeve, Ezy Lock O/Shot |
| 14 | G6951 | Compression Spring |
| 15 | G3543772 | Ball |
| 16 | G3546746 | Ezy Lock Overshot Head |
| 17 | G3542027 | Compression Spring |
| 18 | G3540529 | Lifting Dog |
| 19 | G42906 | Plain Pin |
| 20 | G37394 | Spring Pin |
| 21 | G3546747 | Locking Pin |
| 22 | G3545073 | Set Screw |
| 23 | G15965 | Locking Sleeve |

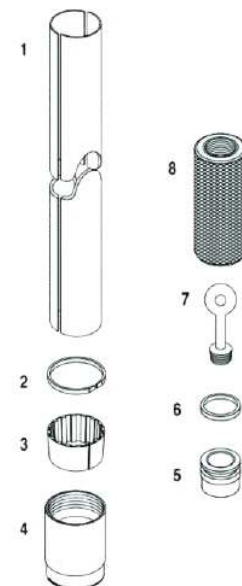


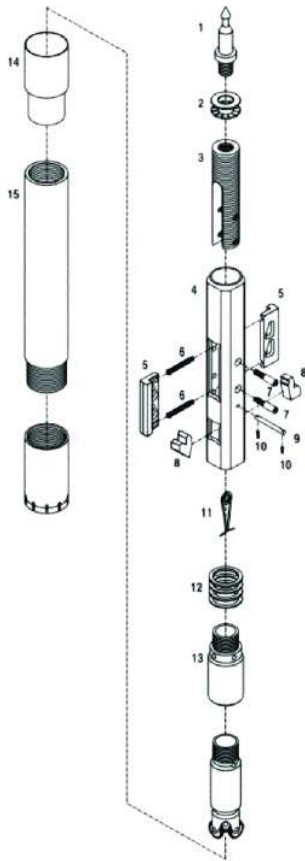
| Item No | Part No | Description |
|---------|-----------|------------------------------|
| | G3543865 | Core Barrel 1,5 m |
| | G3543866 | Core Barrel 3,0 m |
| 1 | G3543806 | Head Assembly |
| 2 | G26159 | Inner Tube 1,5 m |
| | G26534 | Inner Tube 3,0 m |
| 3 | G26161 | Stop Ring |
| 4 | G26162 | Core Lifter (Thin Threaded) |
| | G26162-T | Core Lifter (Thick Threaded) |
| 5 | G52172 | Core Lifter Case |
| 6 | G101343-0 | Locking Coupling |
| | G101343 | Locking Coupling (Tanged) |
| | G101343-T | Locking Coupling (TC) |
| | G101343-W | Locking Coupling (Welded) |
| 7 | G3543808 | Adapter Coupling |
| 8 | G3543814 | Landing Ring |
| 9 | G44923 | Outer Tube 1,5 m |
| | G3543802 | Outer Tube 3,0 m |
| 10 | G3543801 | Inner Tube Stabilizer |



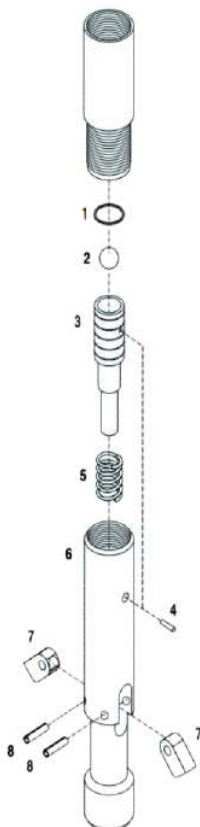
Core Barrel Conversion Kits - HWL3

| Item No | Part No | Description |
|---------|----------|------------------------------|
| 1 | G26180 | Split Tube 1,5 m |
| | G26710 | Split Tube 3,0 m |
| 2 | G26176 | Stop Ring |
| 3 | G26177 | Core Lifter (Thin Threaded) |
| | G26177-T | Core Lifter (Thick Threaded) |
| 4 | G26160 | Core Lifter Case |
| 5 | G26662 | Core Ejection Piston |
| 6 | G26179 | O-Ring |
| 7 | G26178 | Piston Plug |
| 8 | G26182 | Pump-Out Adapter |

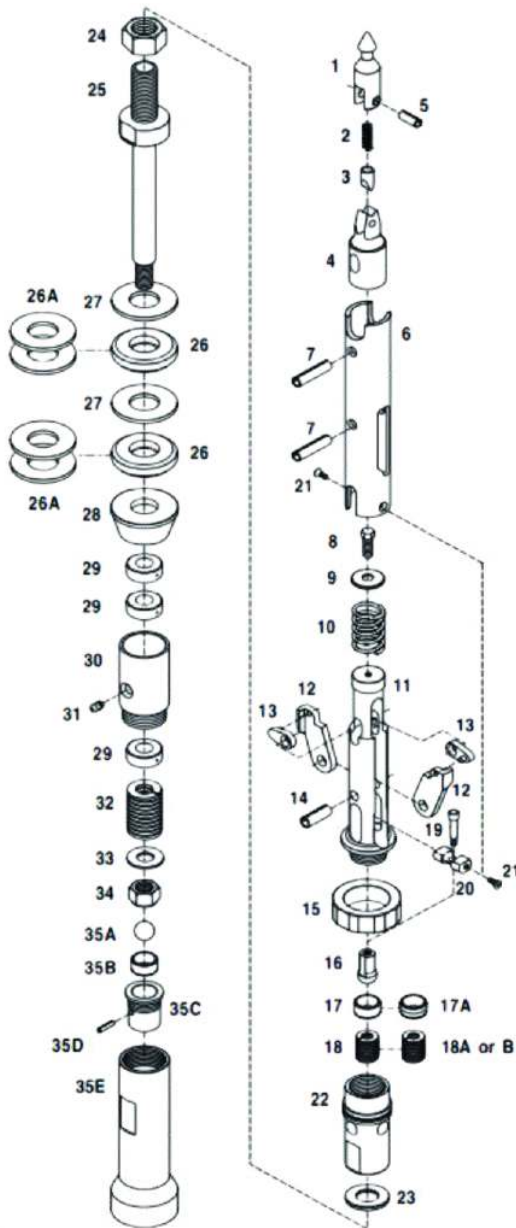




| Item No | Part No | Description |
|---------|----------|---------------------------|
| 1-15 | G3000863 | HWT (PWL) Casing Advancer |
| 1-14 | G3000868 | Inner Assembly |
| 1 | G93415 | Spearhead |
| 2 | G58040 | Disc Lock Washer |
| 3 | G58038 | Release Shaft |
| 4 | G59078 | Latch Body |
| 5 | G93865 | Latch Shoe |
| 6 | G93420 | Spring |
| 7 | G58035 | Location Pin |
| 8 | G59076 | Stop Latch Set |
| 9 | G59077 | Stop Latch Pin |
| 10 | G44861 | Split Cotter Pin |
| 11 | G59082 | Stop Latch Spring |
| 12 | G93863 | Spacer Set |
| 13 | G93864 | Bit Sub |
| 14 | G3000869 | Loading Sleeve |
| 15 | G3000864 | Driver |



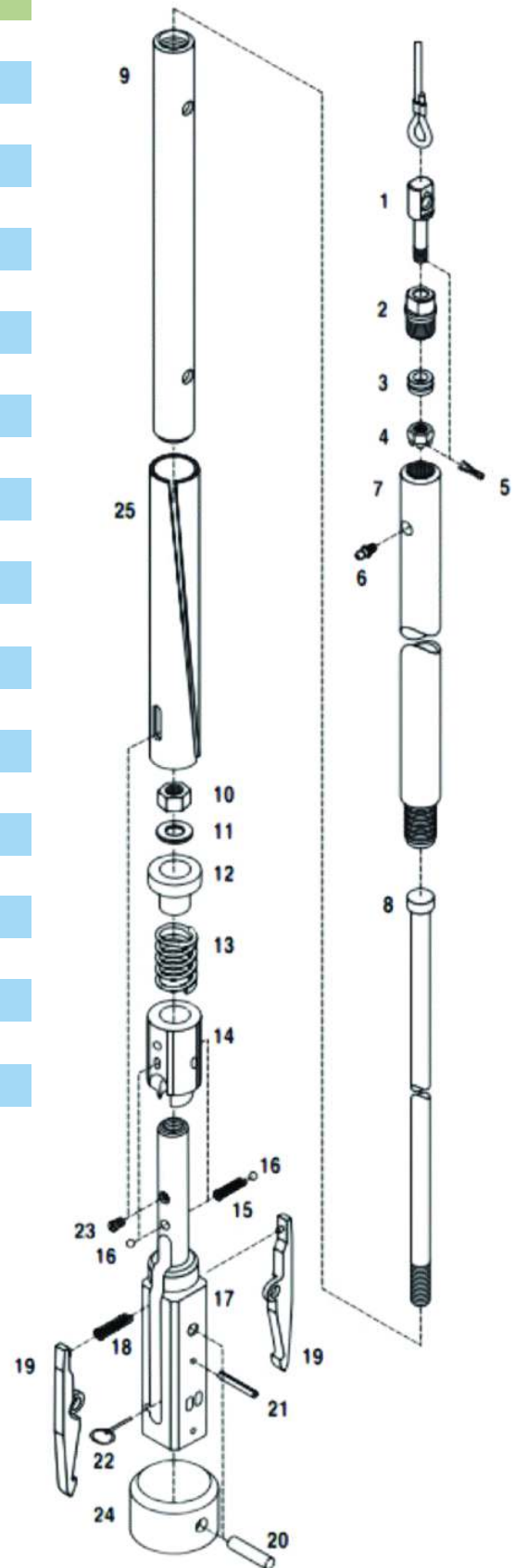
| Item No | Part No | Description |
|---------|---------|----------------------------|
| | G60879 | HW Casing / PWL Rod Cutter |
| 1 | G61460 | Retaining Ring |
| 2 | G26157 | Stainless Steel Ball |
| 3 | G14528 | Plunger |
| 4 | G22834 | Pin |
| 5 | G14531 | Spring |
| 6 | G60880 | Body |
| 7 | G62830 | Casing Cutter Lug |
| 8 | G36216 | Spring Pin |

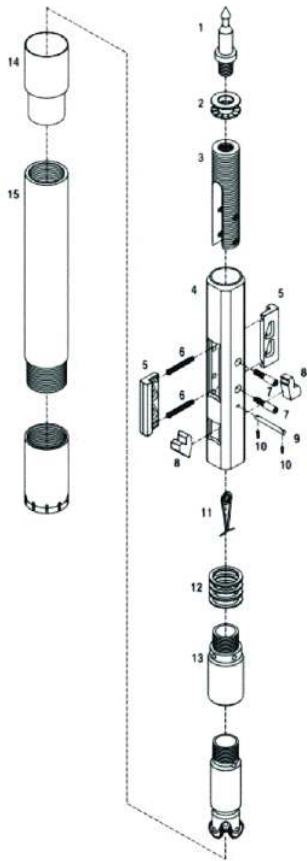


| Item No | Part No | Description |
|---------|----------|--------------------------------|
| 1-5 | G42913-1 | Compact Spearhead and Base |
| 1 | G42913 | Spearhead Point |
| 2 | G15141 | Compression Spring |
| 3 | G42914 | Detent Plunger |
| 4 | G3540330 | Spearhead Base, PWL |
| 5 | G42905 | Spirol Pin |
| 6 | G3540151 | Latch Retracting Case, PWL |
| 7 | G24524 | Spring Pin, PWL |
| 8 | G3541932 | Nyloc Bolt |
| 9 | G104953 | Washer |
| 10 | G3543619 | Latch Compression Spring |
| 11 | G3540156 | Upper Latch Body |
| 12 | G3543796 | Latch, PWL |
| 13 | G306216 | Link, HWL |
| 14 | G24305 | Spring Pin |
| 15 | G3543797 | Landing Shoulder |
| 16 | G3543947 | Threaded Ball |
| 17 | G306131 | Fluid Retention Bushing |
| 17A | G3543378 | Fluid Retention Bushing, Heavy |
| 18 | G104966 | Fluid Retention Spring, Light |
| 18A | G104971 | Fluid Retention Spring, Medium |
| 19 | G3543388 | Shoulder Bolt |
| 20 | G3540153 | Dry Hole Valve Holder |
| 21 | G3541117 | Nylon Insert Machine Screw |
| 22 | G104957 | Lower Latch Body |
| 23 | G3545206 | Washer, Nord-lock |
| 24 | G44574 | Hexagonal Nut |
| 25 | G3541058 | Spindle, PWL |
| 26 | G3540308 | Shut-Off Valve |
| 27 | G3540300 | Valve Adjusting Washer |
| 28 | G3540299 | Washer, Tapered |
| 29 | G24528 | Thrust Bearing, PWL |
| 30 | G3540794 | Spindle Bearing, PWL |
| 31 | G17447 | Grease Fitting |
| 32 | G3540755 | Compression Spring |
| 33 | G3544324 | Washer |
| 34 | G103062 | Stover Lock Nut |
| 35A | G62374 | Stainless Steel Ball |
| 35B | G3540745 | Bushing |
| 35C | G3540745 | Check Valve Body |
| 35D | G100865 | Spring Pin |
| 35E | G3543804 | Inner Tube Cap |

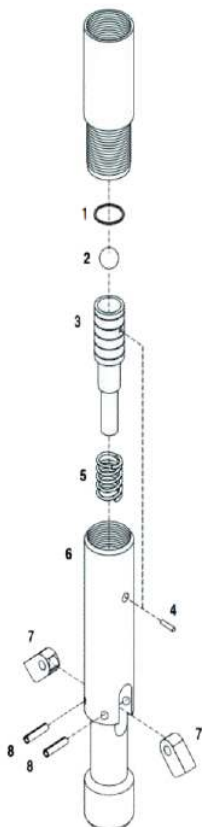


| Item No | Part No | Description |
|---------|-----------|------------------------------|
| | G3546895 | Overshot Assembly (Ezy-Lock) |
| 1 | G25991 | Eye Bolt |
| 2 | G25990 | Cable Swivel Collar |
| 3 | G25986 | Thrust Bearing |
| 4 | G25985 | Castle Nut |
| 5 | G44615 | Cotter Pin |
| 6 | G17447 | Grease Fitting |
| 7 | G44444 | Cable Swivel Body |
| 8 | G3540516 | Jar Staff |
| 9 | G3540515 | Jar Tube |
| 10 | G44524 | Hexagonal Nut |
| 11 | G 3548178 | Washer, Nord-lock |
| 12 | G3544103 | Cap, Ezy Lock O/Shot |
| 13 | G3544105 | Spring, Ezy Lock O/Shot |
| 14 | G3546745 | Sleeve, Ezy Lock O/Shot |
| 15 | G6951 | Compression Spring |
| 16 | G3543772 | Ball |
| 17 | G3546748 | Ezy Lock Overshot Head |
| 18 | G3542027 | Compression Spring |
| 19 | G3540529 | Lifting Dog |
| 20 | G3540213 | Plain Pin |
| 21 | G24307 | Spring Pin |
| 22 | G3546747 | Locking Pin |
| 23 | G3545073 | Set Screw |
| 24 | G3541072 | Sleeve |
| 25 | G15965 | Locking Sleeve |





| Item No | Part No | Description |
|---------|----------|--------------------------|
| 1-15 | G3543991 | PW (SWL) Casing Advancer |
| 1-14 | G3543771 | Inner Assembly |
| 1 | G93415 | Spearhead |
| 2 | G58040 | Disc Lock Washer |
| 3 | G58038 | Release Shaft |
| 4 | G59435 | Latch Body |
| 5 | G59438 | Latch Shoe |
| 6 | G93420 | Spring |
| 7 | G58035 | Location Pin |
| 8 | G59436 | Stop Latch Set |
| 9 | G59437 | Stop Latch Pin |
| 10 | G44861 | Split Cotter Pin |
| 11 | G59082 | Stop Latch Spring |
| 12 | G59440 | Spacer Set |
| 13 | G59441 | Bit Sub |
| 14 | G59454 | Loading Sleeve |
| 15 | G3543990 | Driver |



| Item No | Part No | Description |
|---------|---------|----------------------------|
| | G60879 | PW Casing / SWL Rod Cutter |
| 1 | G61460 | Retaining Ring |
| 2 | G26157 | Stainless Steel Ball |
| 3 | G14528 | Plunger |
| 4 | G22834 | Pin |
| 5 | G14531 | Spring |
| 6 | G60880 | Body |
| 7 | G62830 | Casing Cutter Lug |
| 8 | G36216 | Spring Pin |



| Part No | Description | Part No | Description |
|--|---------------------------------|--|---------------------------------|
| NWL Rod Adapter Subs | | Water Swivel/Hoisting Plug Adapter Subs | |
| G104744-Q | NWL-Q Rod Box to NWL-HD Rod Pin | G306253-HD | HWL-HD Rod Box to HWL-Q Rod Pin |
| G104745-Q | NWL-Q Rod Box to NWL-R Rod Pin | G306254-HD | HWL-HD Rod Box to HWL-R Rod Pin |
| G104746-Q | NWL-Q Rod Box to NWL-X Rod Pin | G306255-HD | HWL-HD Rod Box to HWL-X Rod Pin |
| G104744-HD | NWL-HD Rod Box to NWL-Q Rod Pin | G306253-X | HWL-X Rod Box to HWL-Q Rod Pin |
| G104745-HD | NWL-HD Rod Box to NWL-R Rod Pin | G306254-X | HWL-X Rod Box to HWL-HD Rod Pin |
| G104746-HD | NWL-HD Rod Box to NWL-X Rod Pin | G306255-X | HWL-X Rod Box to HWL-R Rod Pin |
| G104744-X | NWL-X Rod Box to NWL-Q Rod Pin | G306253-R | HWL-R Rod Box to HWL-Q Rod Pin |
| G104745-X | NWL-X Rod Box to NWL-HD Rod Pin | G306254-R | HWL-R Rod Box to HWL-HD Rod Pin |
| G104746-X | NWL-X Rod Box to NWL-R Rod Pin | G306255-R | HWL-R Rod Box to HWL-X Rod Pin |
| G104744-R | NWL-R Rod Box to NWL-Q Rod Pin | Water Swivel/Hoisting Plug Adapter Subs | |
| G104745-R | NWL-R Rod Box to NWL-HD Rod Pin | G31093-Q | AW Rod Pin to HWL-Q Rod Pin |
| G104746-R | NWL-R Rod Box to NWL-X Rod Pin | G31093-HD | AW Rod Pin to HWL-HD Rod Pin |
| Water Swivel/Hoisting Plug Adapter Subs | | G31093-X | AW Rod Pin to HWL-X Rod Pin |
| G25617-Q | AW Rod Pin to NWL-Q Rod Pin | G31093-R | AW Rod Pin to HWL-R Rod Pin |
| G25617-HD | AW Rod Pin to NWL-HD Rod Pin | G44464-Q | BW Rod Pin to HWL-Q Rod Pin |
| G25617-X | AW Rod Pin to NWL-X Rod Pin | G44464-HD | BW Rod Pin to HWL-HD Rod Pin |
| G25617-R | AW Rod Pin to NWL-R Rod Pin | G44464-X | BW Rod Pin to HWL-X Rod Pin |
| G27559-Q | BW Rod Pin to NWL-Q Rod Pin | G44464-R | BW Rod Pin to HWL-R Rod Pin |
| G27559-HD | BW Rod Pin to NWL-HD Rod Pin | G27558-Q | HWL-Q Rod Box to HW Casing Pin |
| G27559-X | BW Rod Pin to NWL-X Rod Pin | G27558-HD | HWL-HD Rod Box to HW Casing Pin |
| G27559-R | BW Rod Pin to NWL-R Rod Pin | G27558-X | HWL-X Rod Box to HW Casing Pin |
| G30040-Q | NWL-Q Rod Box to NW Casing Pin | G27558-R | HWL-R Rod Box to HW Casing Pin |
| G30040-HD | NWL-HD Rod Box to NW Casing Pin | G3542933-Q | NW Rod Pin to HWL-Q Rod Pin |
| G30040-X | NWL-X Rod Box to NW Casing Pin | G3542933-HD | NW Rod Pin to HWL-HD Rod Pin |
| G30040-R | NWL-R Rod Box to NW Casing Pin | G3542933-X | NW Rod Pin to HWL-X Rod Pin |
| Casing Adapter Subs | | G3542933-R | NW Rod Pin to HWL-R Rod Pin |
| G30558-Q | NWL-Q Rod Box to BW Casing Pin | Casing Adapter Subs | |
| G30558-HD | NWL-HD Rod Box to BW Casing Pin | G30555-Q | HWL-Q Rod Box to NW Casing Pin |
| G30558-R | NWL-R Rod Box to BW Casing Pin | G30555-HD | HWL-HD Rod Box to NW Casing Pin |
| G30558-X | NWL-X Rod Box to BW Casing Pin | G30555-R | HWL-R Rod Box to NW Casing Pin |
| G30040-Q | NWL-Q Rod Box to NW Casing Pin | G30555-X | HWL-X Rod Box to NW Casing Pin |
| G30040-HD | NWL-HD Rod Box to NW Casing Pin | G27558-Q | HWL-Q Rod Box to HW Casing Pin |
| G30040-R | NWL-R Rod Box to NW Casing Pin | G27558-HD | HWL-HD Rod Box to HW Casing Pin |
| G30040-X | NWL-X Rod Box to NW Casing Pin | G27558-R | HWL-R Rod Box to HW Casing Pin |
| G30101-Q | NWL-Q Rod Box to HW Casing Pin | G27558-X | HWL-X Rod Box to HW Casing Pin |
| G30101-HD | NWL-HD Rod Box to HW Casing Pin | Recovery Tool & Adapter Subs | |
| G30101-R | NWL-R Rod Box to HW Casing Pin | G306079 | HWL Rod Recovery Tap |
| G30101-X | NWL-X Rod Box to HW Casing Pin | G4011574 | HWL Pilot Bit |
| Recovery Tool & Adapter Subs | | G3542968 | HW Casing Recovery Tap |
| G306034 | NWL Rod Recovery Tap | G61734 | HWL Cable Fisher |
| G4011685 | NWL Pilot Bit | G25262-Q | HWL-Q Rod Box to NW Rod Pin |
| G306066 | NW Casing Recovery Tap | G25262-HD | HWL-HD Rod Box to NW Rod Pin |
| G61733 | NWL Cable Fisher | G25262-X | HWL-X Rod Box to NW Rod Pin |
| G24928-Q | NWL-Q Rod Box to BW Rod Pin | G25262-R | HWL-R Rod Box to NW Rod Pin |
| G24928-HD | NWL-HD Rod Box to BW Rod Pin | PWL Casing Adapter Subs | |
| G24928-X | NWL-X Rod Box to BW Tij Rod Pin | G35433992 | PWL-Q Rod Box to PW Casing Pin |
| G24928-R | NWL-R Rod Box to BW Rod Pin | Water Swivel/Hoisting Plug Adapter Subs | |
| G24931-Q | NWL-Q Rod Box to NW Rod Pin | G103008 | BW Rod Pin to PWL-Q Rod Pin |
| G24931-HD | NWL-HD Rod Box to NW Rod Pin | G3543992 | NW Rod Pin to PW-Q Rod Pin |
| G24931-X | NWL-X Rod Box to NW Rod Pin | Recovery Tool & Adapter Subs | |
| G24931-R | NWL-R Rod Box to NW Rod Pin | G3542968 | PWL Rod Recovery Tap |
| HWL Drill Rod Adapter Subs | | G3543013 | PW Casing Recovery Tap |
| G306253-Q | HWL-Q Rod Box to HWL-HD Rod Pin | G3543319 | PWL-Q Rod Box to NW Rod Pin |
| G306254-Q | HWL-Q Rod Box to HWL-R Rod Pin | | |
| G306255-Q | HWL-Q Rod Box to HWL-X Rod Pin | | |